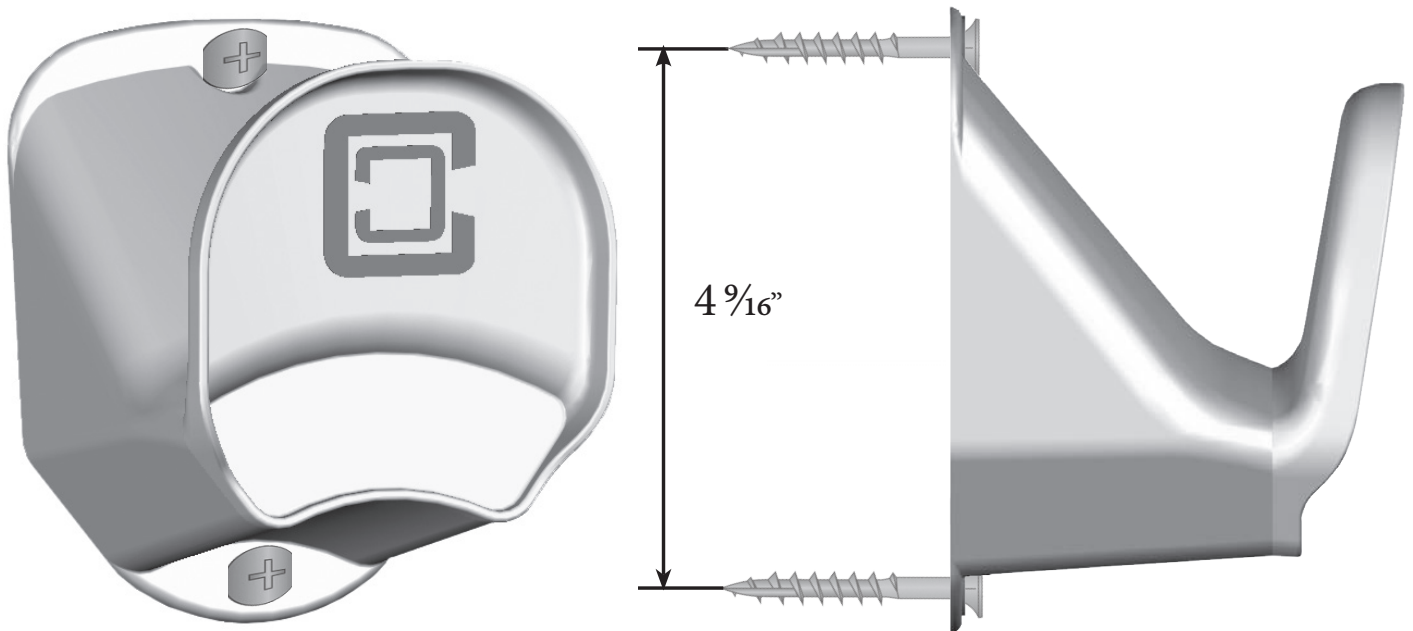


# CLIPPERCREEK CABLE CRADLE INSTALLATION GUIDE

## Mounting the Cable Cradle

- The Cable Cradle provides a convenient cable storage area for cable management.
- The Cable Cradle should be placed so the user has easy and safe access to hang excess cable.
- For installation, it is recommended the Cable Cradle be mounted 24-48 inches above the ground or grade.
- The Cable Cradle has two vertically aligned mounting holes spaced  $4 \frac{9}{16}$ " apart, one each on the top and bottom.
- This hole configuration allows for the convenient mounting onto a post or wall structure. For example, the Cable Cradle may be mounted directly below the ClipperCreek SAE J1772 Wall Mount Connector Holster.
- Place the Cable Cradle so both mounting holes can take advantage of solid structural framing inside of the wall or a strong wall surface such as plywood.
- A set of exterior wood screws and stainless steel washers are included for mounting the Cable Cradle to a wooden surface.
- For mounting to a solid surface such as concrete, brick, or stone, alternate hardware may be needed. Examples of solid-wall mounting hardware include multi-sets, wedge anchors, and sleeve anchors. Use the type of mounting hardware most appropriate for the supporting structure.



**WARNING:** This product can expose you to chemicals, including Carbon Black, which is known to the State of California to cause cancer. For more information go to: [www.P65Warnings.ca.gov](http://www.P65Warnings.ca.gov)