



IQ Gateway Commercial

The IQ Gateway Commercial delivers solar production and energy consumption data to Enphase Installer Platform monitoring and analysis software for comprehensive, remote maintenance and management of three-phase Enphase IQ Systems.

With integrated production metering and optional consumption monitoring, the IQ Gateway Commercial is the platform for total energy management and integrates with the IQ Microinverters.



IQ Series Microinverters
The high-powered smart grid-ready IQ Series Microinverters (IQ6, IQ7, and IQ8 Series) dramatically simplify the installation process



Q-DCC-2 Adapter
Connect PV modules quickly and easily to IQ Series Microinverters using the included Q-DCC-2 adapter cable with plug-and-play MC4 connectors.

Smart

- Enables web-based monitoring and control
- Supports bidirectional communications for remote upgrades
- Supports power export limiting and zero-export applications

Simple

- Easy system configuration using Enphase Installer App
- Flexible networking with Wi-Fi and Ethernet

Reliable

- Designed for installation indoors or outdoors in an enclosure
- 5-year warranty



IQ Gateway Commercial

MODEL NUMBERS		ENV-IQ-AM3-3P
IQ Gateway Commercial ENV-IQ-AM3-3P	Three-phase communications gateway with integrated PV production metering ($\pm 0.5\%$) and optional consumption monitoring ($\pm 2.5\%$). Includes three 200 A continuous rated Production CTs.	
ACCESSORIES (ORDER SEPARATELY)		
Consumption monitoring CTs CT-200-SPLIT (order three or six, as needed) CT-200-CLAMP	Service entrance rated split-core current transformers enable consumption metering ($\pm 2.5\%$)	
POWER REQUIREMENTS		
Power requirements	208Y/120 VAC three-phase, 220Y/127 VAC three-phase, and 230Y/133 VAC three phase Max 20 A overcurrent protection required	
Typical power consumption	5 W	
CAPACITY		
Number of microinverters polled	Up to 300	
MECHANICAL DATA		
Dimensions (W × H × D)	21.3 × 12.6 × 4.5 cm (8.4" × 5" × 1.8")	
Weight	1.09 lb	
Ambient temperature range	-40°C to 65°C (-40°F to 149°F) -40°C to 46°C (-40°F to 115°F) if installed in an enclosure	
Environmental rating	IP30. For installation indoors or in an NRTL-certified, NEMA-type 3R enclosure	
Altitude	Up to 2,600 meters (8,530 feet)	
Production CTs	<ul style="list-style-type: none"> - Are limited to 200 A of continuous current/250 A OCPD-72 kW AC - Allow for parallel connected CTs for up to 400 A-115 kW AC (if possible) - Internal aperture measures 0.76" (19.36 mm) to support 250 kcmil (0.2 sq in) THWN conductors (max) - Accuracy of $\pm 0.5\%$ for production metering 	
Consumption CTs	<ul style="list-style-type: none"> - For electrical services to 200 A with parallel runs up to 400 A - Accuracy of $\pm 2.5\%$ for consumption monitoring 	
COMMUNICATION INTERFACES		
Integrated Wi-Fi	802.11b/g/n (2.4 GHz, 5 GHz), for connecting the the Enphase Cloud via the internet.	
Wi-Fi range (recommended)	10 m	
Ethernet	Optional, 802.3, Cat5E (or Cat 6) UTP Ethernet cable (not included), for connecting to the Enphase Cloud via the internet.	
Mobile Connect	CELLMODEM-M1-06-SP-05, CELLMODEM-M1-06-AT-05 (to be purchased separately)	
Digital I/O	Digital input/output for grid operator control	
USB 2.0	For Mobile Connect	
Access point (AP) mode	For a connection between the IQ Gateway and a mobile device running the Enphase Installer App	
Metering ports	Up to two consumption CTs and one production CT	
Power line communication (PLC)	90-110 kHz (Class B), to microinverters.	
Web API	Refer to https://developer-v4.enphase.com	
Local API	Refer to guide for local API	
LED indicators	From top to bottom: Cloud connectivity, Wi-Fi access point mode, PV production state, PLC communications state	
Configured via	Enphase Installer App and Enphase Installer Platform	

Maximum relays read	4
Capabilities supported	Power production limiting (Production CT/s required), power export limiting (Production CT/s required and Consumption CT/s – “Load with Solar” configuration)
Minimum IQ Gateway version	v7.3.120
Cable configurations	18 AWG, UL-Std.62, 600 V, 105°C, and min 0.03 inches average thickness
Signal voltage range	2.5 V–5 V (digital high), 0 V–1.9 V (digital low)
Terminal blocks	Five terminals, up to 0.002 in ²
Configuration via	Enphase Installer App, Enphase Installer Platform (site settings)

SCOPE OF DELIVERY

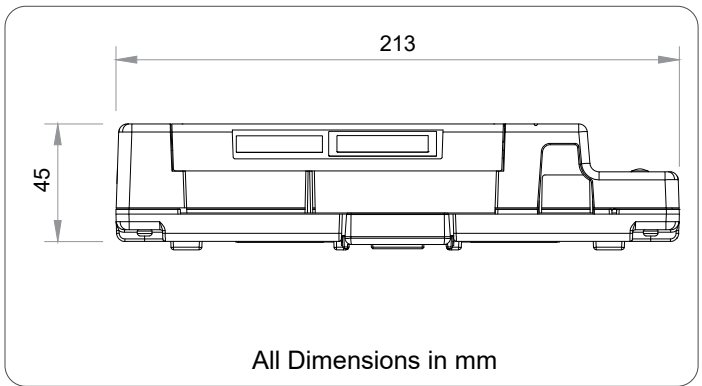
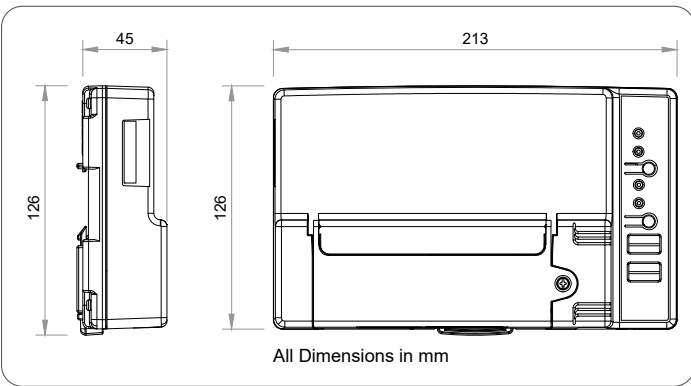
Package dimensions (H x W x D)	6.3 x 10.8 x 3.9 (in)
Package weight	2.2 lb
Aluminium DIN rail	4.9 in
Current Transformers (CTs)	Three CT-200-SOLID included

COMPLIANCE

Compliance	UL 916 CAN/CSA C22.2 No. 61010-1 Title 47 CFR Part 15 Class B ICES 003, IEC/EN 61010-1:2010, EN50065-1, EN61000-4-5, EN61000-6-1, EN61000-6-2
------------	--

COMPATIBILITY

Microinverter	IQ6, IQ7, and IQ8 Series Microinverters
---------------	---



Accessories



Enphase Mobile Connect

4G-based LTE-M1 cellular modem with a 5-year data plan (CELLMODEM-M1-06-SP-05 for Sprint and CELLMODEM-M1-06-AT-05 for AT&T)



Circuit breakers

BRK-10A-2-240V Circuit breaker, 2-pole, 10 A, Eaton BR210
BRK-15A-2-240V Circuit breaker, 2-pole, 15 A, Eaton BR215
BRK-20A-2P-240V Circuit breaker, 2-pole, 20 A, Eaton BR220



CT-200-SOLID

200 A revenue grade solid core Production CT with <0.5% error rate (replacement SKU)



CT-200-CLAMP

200 A clamp-style consumption and battery metering CT with <2.5% error rate (replacement SKU)

Revision history

REVISION	DATE	DESCRIPTION
DSH-00072-1.0	June 2023	Updated the document for product names and editorial changes.
Previous releases		